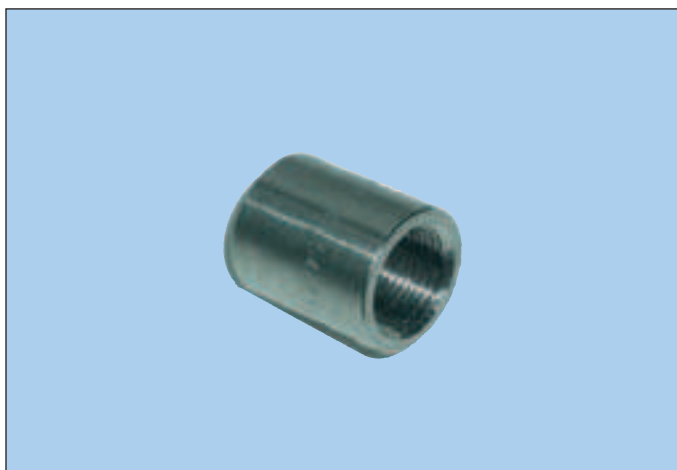


Fittings aus Edelstahl

Stainless steel fittings



Features

- ▶ **Abdeckung hoher Ansprüche durch Edelstahl**
 - ▶ **für verschiedenste Einsatzzwecke**
 - ▶ **für Anschlüsse von 1/8" bis 2"**
- ▶ **High requirements covered due to stainless steel**
 - ▶ **For various applications**
 - ▶ **For connections from 1/8" to 2"**

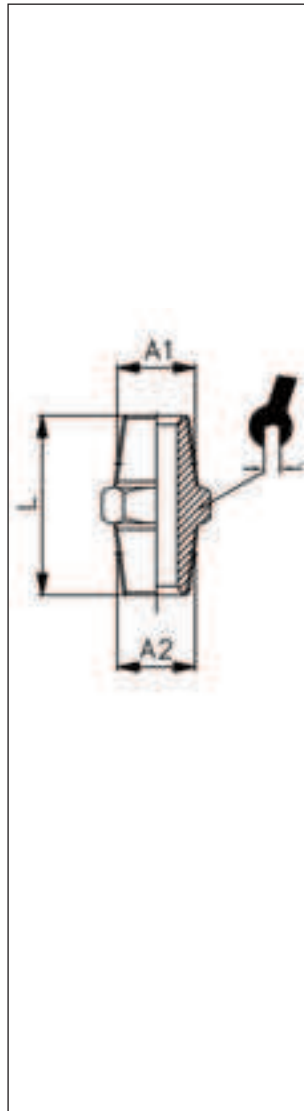
Technische Daten Technical data

Betriebstemperatur	max. +200°C
Betriebsdruck	bis 100bar
Werkstoffe	Edelstahl AISI 316 1.4401
Gewinde	DIN 3852 DIN 3858

Operating temperature	Max +200°C
Operating pressure	Up to 100 bar
Materials	Stainless steel AISI 316 1.4401
Thread	DIN 3852 DIN 3858

Doppelnippel

Double nipple, con.

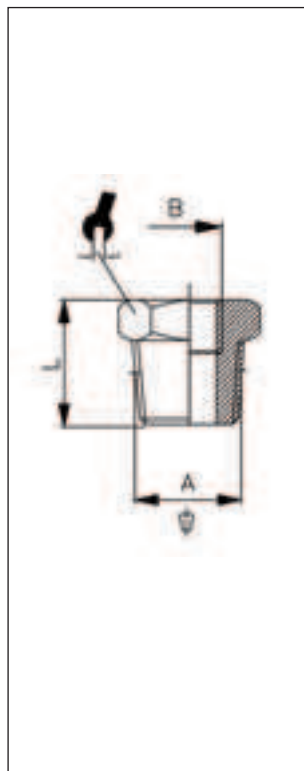


ITV	A1	A2	L		
82002	R ^{1/8}	R ^{1/8}	17	13	20
82003	R ^{1/4}	R ^{1/4}	25	15	20
82004	R ^{3/8}	R ^{3/8}	26	20	20
82005	R ^{1/2}	R ^{1/2}	34	23	20
82006	R ^{3/4}	R ^{3/4}	36	30	10
82007	R1	R1	43	36	10
82008	R1 ^{1/4}	R1 ^{1/4}	48	45	5
82009	R1 ^{1/2}	R1 ^{1/2}	48	50	5
82010	R2	R2	56	62	5

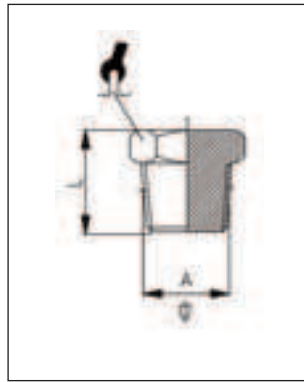
Reduziert | reduced

82202	R ^{1/4}	R ^{1/8}	31	16	20
82203	R ^{3/8}	R ^{1/4}	34	20	20
82204	R ^{1/2}	R ^{1/4}	36	23	20
82205	R ^{1/2}	R ^{3/8}	36	23	20
82206	R ^{3/4}	R ^{1/4}	41	28	20
82207	R ^{3/4}	R ^{3/8}	41	28	20
82208	R ^{3/4}	R ^{1/2}	41	28	20
82210	R1	R ^{3/8}	42	36	10
82211	R1	R ^{1/2}	42	36	10
82212	R1	R ^{3/4}	42	36	10
82214	R1 ^{1/4}	R ^{1/2}	53	46	5
82215	R1 ^{1/4}	R ^{3/4}	53	46	5
82216	R1 ^{1/4}	R1	53	46	5
82218	R1 ^{1/2}	R ^{1/2}	53	51	5
82219	R1 ^{1/2}	R ^{3/4}	53	51	5
82220	R1 ^{1/2}	R1	53	51	5
82221	R1 ^{1/2}	R1 ^{1/4}	53	51	5
82222	R2	R ^{1/2}	64	53	5
82223	R2	R ^{3/4}	64	53	5
82224	R2	R1	64	53	5
82225	R2	R1 ^{1/4}	64	53	5
82226	R2	R1 ^{1/2}	64	53	5
82228	R2 ^{1/2}	R1 ^{1/2}	64	53	5
82229	R2 ^{1/2}	R2	64	53	5

Reduzierung | Reducer



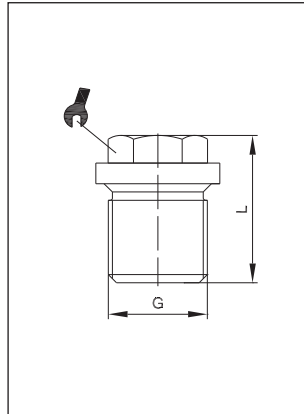
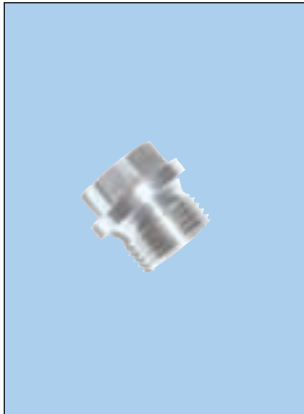
ITV	A	B	L		
82801	R ^{1/4}	G ^{1/8}	17	17	20
82802	R ^{3/8}	G ^{1/4}	18,5	21	20
82803	R ^{1/2}	G ^{1/4}	21	26	20
82804	R ^{1/2}	G ^{3/8}	21	26	20
82805	R ^{3/4}	G ^{1/4}	24	30	20
82806	R ^{3/4}	G ^{3/8}	24	30	20
82807	R ^{3/4}	G ^{1/2}	24	30	20
82808	R1	G ^{1/4}	27,5	38	10
82809	R1	G ^{3/8}	27,5	38	10
82810	R1	G ^{1/2}	27,5	38	10
82811	R1	G ^{3/4}	27,5	38	10
82812	R1 ^{1/4}	G ^{3/8}	30	46	10
82813	R1 ^{1/4}	G ^{1/2}	30	46	10
82814	R1 ^{1/4}	G ^{3/4}	30	46	10
82815	R1 ^{1/4}	G1	30	46	10
82816	R1 ^{1/2}	G ^{3/8}	30,5	52	5
82817	R1 ^{1/2}	G ^{1/2}	30,5	52	5
82818	R1 ^{1/2}	G ^{3/4}	30,5	52	5
82819	R1 ^{1/2}	G1	30,5	52	5
82820	R1 ^{1/2}	G1 ^{1/4}	30,5	52	5
82821	R2	G1 ^{1/2}	33,5	64	5
82822	R2	G ^{3/4}	33,5	64	5
82823	R2	G1	33,5	64	5
82824	R2	G1 ^{1/4}	33,5	64	5



Stopfen

Plug

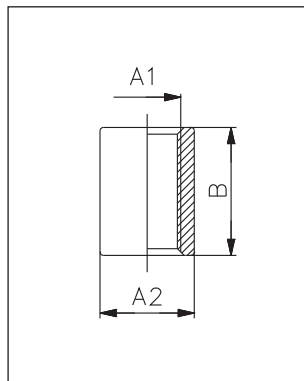
ITV	A	L		
83252	G ¹ / ₈	15	12	20
83253	G ¹ / ₄	18	14	20
83254	G ³ / ₈	19	17	20
83255	G ¹ / ₂	22	22	20
83256	G ³ / ₄	25	27	10
83257	G1	28	36	10
83258	G1 ¹ / ₄	30	46	10
83259	G1 ¹ / ₂	30	50	10
83260	G2	35	65	10



Verschlussstopfen zyl. DIN 910

Male plug cyl. DIN 910

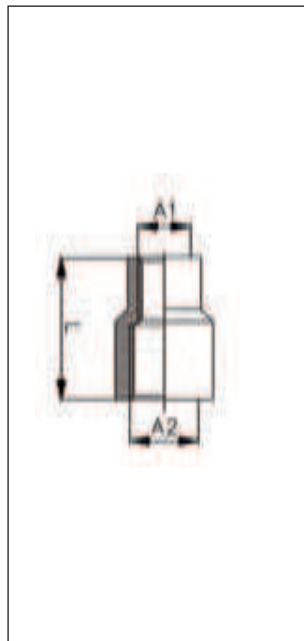
ITV	G	L		
83222	G ¹ / ₈	17	10	20
83223	G ¹ / ₄	17	13	20
83224	G ³ / ₈	17	17	20
83225	G ¹ / ₂	22	19	20
83226	G ³ / ₄	26	24	10
83227	G1	32	27	10
83228	G1 ¹ / ₄	33	30	10
83229	G1 ¹ / ₂	33	34	10
83230	G2	40	36	10



Muffe rund

Sleeve

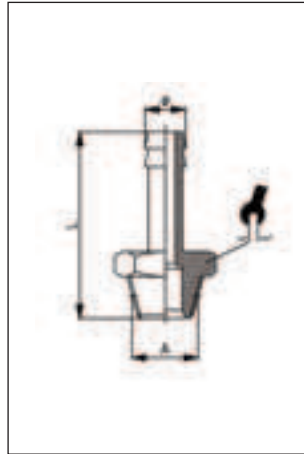
ITV	A1	A2	B	
83002	G ¹ / ₈	14	17	20
83003	G ¹ / ₄	17,5	25	20
83004	G ³ / ₈	21,3	26	20
83005	G ¹ / ₂	26,4	34	10
83006	G ³ / ₄	31,8	36	10
83007	G1	39,5	43	10
83008	G1 ¹ / ₄	48,3	48	10
83009	G1 ¹ / ₂	54,5	48	10
83010	G2	66,3	56	10



Reduzierung

Reducer

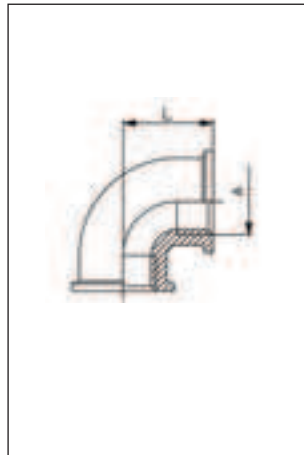
ITV	A1	A2	L	
83102	G ¹ / ₈	G ¹ / ₄	29	20
83103	G ¹ / ₄	G ³ / ₈	29	20
83104	G ¹ / ₄	G ¹ / ₂	29	20
83105	G ³ / ₈	G ¹ / ₂	29	20
83107	G ³ / ₈	G ³ / ₄	34	10
83108	G ¹ / ₂	G ³ / ₄	34	10
83109	G ¹ / ₄	G1	42	10
83110	G ³ / ₈	G1	42	10
83111	G ¹ / ₂	G1	42	10
83112	G ³ / ₄	G1	42	10
83113	G ³ / ₈	G1 ¹ / ₄	48	10
83114	G ¹ / ₂	G1 ¹ / ₄	48	10
83115	G ³ / ₄	G1 ¹ / ₄	48	10
83116	G1	G1 ¹ / ₄	48	5
83118	G ¹ / ₂	G1 ¹ / ₂	54	5
83119	G ³ / ₄	G1 ¹ / ₂	54	5
83120	G1	G1 ¹ / ₂	54	5
83121	G1 ¹ / ₄	G1 ¹ / ₂	54	5



Schlauchtülle kon.

Male hose adapter

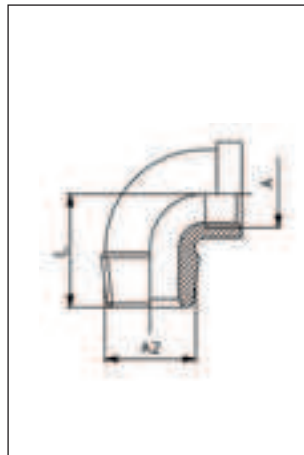
ITV	A	Ø	L		
83403	R ^{1/8}	7	46	15	20
83404	R ^{1/4}	9	46	15	20
83405	R ^{3/8}	9	53	19	20
83406	R ^{1/2}	15	63	23	10
83407	R ^{3/4}	20	65	29	10
83408	R1	25	69	37	10
83409	R1 ^{1/4}	35	73	45	10
83410	R1 ^{1/2}	40	86	51	10
83411	R2	54	94	63	10



Winkel 90° F-F

Elbow 90° F-F

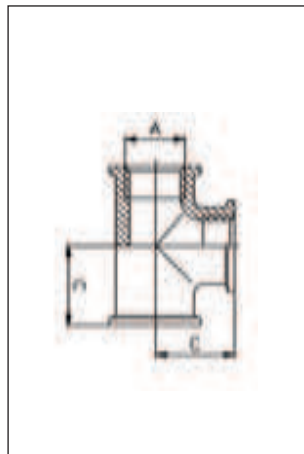
ITV	A	L	
85102	G ^{1/8}	18	20
85103	G ^{1/4}	21	20
85104	G ^{3/8}	25	20
85105	G ^{1/2}	28	10
85106	G ^{3/4}	33	10
85107	G1	38	10
85108	G1 ^{1/4}	45	10
85109	G1 ^{1/2}	50	10
85110	G2	58	10



Winkel 90° F-A

Elbow 90° F-M

ITV	A	A2	L	
85202	G ^{1/8}	R ^{1/8}	19	20
85203	G ^{1/4}	R ^{1/4}	21,5	20
85204	G ^{3/8}	R ^{3/8}	24,5	20
85205	G ^{1/2}	R ^{1/2}	29	10
85206	G ^{3/4}	R ^{3/4}	33,5	10
85207	G1	R1	38	10
85208	G1 ^{1/4}	R1 ^{1/4}	43	10
85209	G1 ^{1/2}	R1 ^{1/2}	47	10
85210	G2	R2	57,5	10



T-Stück IG

Female T

ITV	A	C	
84003	G ^{1/4}	21	15
84004	G ^{3/8}	25	15
84005	G ^{1/2}	28	10
84006	G ^{3/4}	33	10
84007	G1	38	10
84008	G1 ^{1/4}	45	10
84009	G1 ^{1/2}	50	10
84010	G2	58	10